

# **INITIAL RECEIPT**

**United States Department of the Interior**  
**Bureau of Land Management**  
 DIV OF LANDS, MINRLS & ENERGY  
 ONE N CENTRAL AVE  
 PHOENIX, AZ 85004 -4427  
 Phone: 602-417-9200

Receipt	
No:	4714510

**Transaction #:** 4839486  
**Date of Transaction:** 03/16/2020

CUSTOMER:	
BURL BOSWELL	7556 BARKSDALE BLVD
BOSSIER CITY,LA 71112-8726 US	

LINE #	QTY	DESCRIPTION	REMARKS	UNIT PRICE	TOTAL
1	10.00	LOCATABLE MINERALS / MINING CLAIMS-NEW,UNADJUD, ONE OR MORE AUTH NOS / NEW MINING CLAIM PROCESSING FEE <b>CASES:</b> AMC459585/\$20.00, AMC459586/\$20.00, AMC459587/\$20.00, AMC459588/\$20.00, AMC459589/\$20.00, AMC459590/\$20.00, AMC459591/\$20.00, AMC459592/\$20.00, AMC459593/\$20.00, AMC459594/\$20.00		- n/a -	200.00
2	10.00	LOCATABLE MINERALS / MINING CLAIMS-NEW,UNADJUD, ONE OR MORE AUTH NOS / NEW MINING CLAIMS LOCATION FEE <b>CASES:</b> AMC459585/\$40.00, AMC459586/\$40.00, AMC459587/\$40.00, AMC459588/\$40.00, AMC459589/\$40.00, AMC459590/\$40.00, AMC459591/\$40.00, AMC459592/\$40.00, AMC459593/\$40.00, AMC459594/\$40.00		- n/a -	400.00
3	10.00	LOCATABLE MINERALS / MINING CLAIMS-NEW,UNADJUD, ONE OR MORE AUTH NOS / NEW MINING CLAIMS MAINTENANCE FEE <b>CASES:</b> AMC459585/\$165.00, AMC459586/\$165.00, AMC459587/\$165.00, AMC459588/\$165.00, AMC459589/\$165.00, AMC459590/\$165.00, AMC459591/\$165.00, AMC459592/\$165.00, AMC459593/\$165.00, AMC459594/\$165.00		- n/a -	1650.00
<b>TOTAL:</b>					<b>\$2,250.00</b>

PAYMENT INFORMATION			
1	AMOUNT:	2250.00	POSTMARKED: N/A
	TYPE:	CASH	RECEIVED: 03/16/2020

**ENTERED**  
 APR 01 2020  
 BY: *Ram*

<b>NAME:</b>	BOSWELL, BURL 7556 BARKSDALE BLVD BOSSIER CITY LA 71112-8726 US
--------------	---

<b>REMARKS</b>
----------------

This receipt was generated by the automated BLM Collections and Billing System and is a paper representation of a portion of the official electronic record contained therein.

# **CORRESPONDENCE**

# **TRANSFERS**

**MAINTENANCE FEES**  
**WAIVERS**  
**POL/NOI**

# **MISCELLANEOUS**

**LOCATION NOTICES  
AMENDMENTS  
STATUS SHEET  
GEO REPORT/MTP**



# MINING CLAIM STATUS REPORT - Assessment Year 2020

Data Entered: 4/1/2020

MTP Checked By: 4/1/2020  
GEO Checked By: PER 4/1/2020

LEAD SERIAL NUMBER: AMC 459585 thru AMC 459594

NUMBER OF CLAIMS & TYPE:

- LODE
- PLACER
- ASSOCIATION PLACER
- MILL SITE
- TUNNEL SITE

CHARGES:

Processing Fee @ \$20 =	\$ <u>200-</u>
Location Fee @ \$40 =	\$ <u>400-</u>
Maintenance Fee @ \$165 =	\$ <u>1650-</u>
Add'l Maint Fee for Assoc Placer =	\$ _____
<b>SUBTOTAL</b>	\$ <u>2250-</u>
Other Fees	\$ _____
Other Fees	\$ _____
<b>TOTAL</b>	\$ _____

TOTAL ACREAGE: 20 Per Claim  
(Placer Only)

NUMBER OF LOCATORS: 1

DOCUMENTS RECEIVED VIA: Over-the-Counter  Mail  TIMELY FILED: Yes  No

LEGAL DESCRIPTION: T 13N R 10W SEC 24, 25

T \_\_\_\_\_ R \_\_\_\_\_ SEC \_\_\_\_\_

T \_\_\_\_\_ R \_\_\_\_\_ SEC \_\_\_\_\_

T \_\_\_\_\_ R \_\_\_\_\_ SEC \_\_\_\_\_

T \_\_\_\_\_ R \_\_\_\_\_ SEC \_\_\_\_\_

BLM  FOREST SERVICE  SUBJ TO PL 359: Yes  No   
WILDERNESS AREA

SPLIT ESTATE: N/A  SX  PX  OTHER   
SRHA  Was proper Notice filed if located on SHRA Land? Yes  No

RECONVEYED MINERALS ON BLM LAND REQUIRE OPENING ORDER FROM 1944 TO 1993:  
Open to Entry On \_\_\_\_\_ N/A

COMMENTS/STATUS: VOID  PARTIALLY VOID  PVT MINERALS  WITHDRAWN LANDS   
OTHER  AMC 459585-459591 AND 459594 USED MAP FOR ULD. PA.

Claimant acknowledges that portions of the following claim(s) site(s) may be void or voidable.

Printed Name of Claimant \_\_\_\_\_ Signature of Claimant \_\_\_\_\_

\*\*\*\*\*FINAL ADJUDICATION\*\*\*\*\*

DATE 7/28/2020 INITIALS PA

LOCATION NOTICE FOR PLACER MINING CLAIM

Amendment BLM Serial # \_\_\_\_\_

NOTICE IS HEREBY GIVEN that the BUTTERMILK I

\_\_\_\_\_ placer mining claim has been located by

BURL Boswell whose current mailing

address is 7556 BANKSDALE BLVD.

BOSSIER CITY, LOUISIANA 71112

RECEIVED  
BLM AZ STATE OFFICE  
2020 MAR 16 A 10:28  
PHOENIX, ARIZONA  
BLM  
Date  
Stamp

The general course of this claim is NORTH to SOUTH and it is situated in YAVAPAI

County, Arizona. This claim is 1320 feet in length and 660 feet in width.

20 Total Claim Acreage. This claim runs from the location monument on which this location notice is posted at the NW corner of the claim approximately 1320 feet in a SOUTH direction to the SW end line and 660 feet in a EAST direction to the SE end line. This claim is marked by four monuments, one at each corner of the claim.

The location monument on which this notice is posted is situated within Section 24, Township 13 N, Range 10 W, Gila Salt River Base and Meridian, Arizona. This claim encompasses portions of the following legal subdivision(s) if located by legal subdivision or the following quarter section(s), section(s), Township(s) and Range(s) NW 1/4 NE 1/4 NW 1/4

Sec 24 T13N R10W, Gila Salt River Base and Meridian, Arizona.

The locality of this claim with reference to some natural object or permanent monument and additional information (if any) concerning its locality are as follows: 1320' From corner Sec's 24 + 23

\_\_\_\_\_ The above information is shown on the attached map.

DATED AND POSTED on the ground this 9<sup>th</sup> day of MARCH, 2020

LOCATOR(s)  AGENT

Print Name(s) BURL Boswell

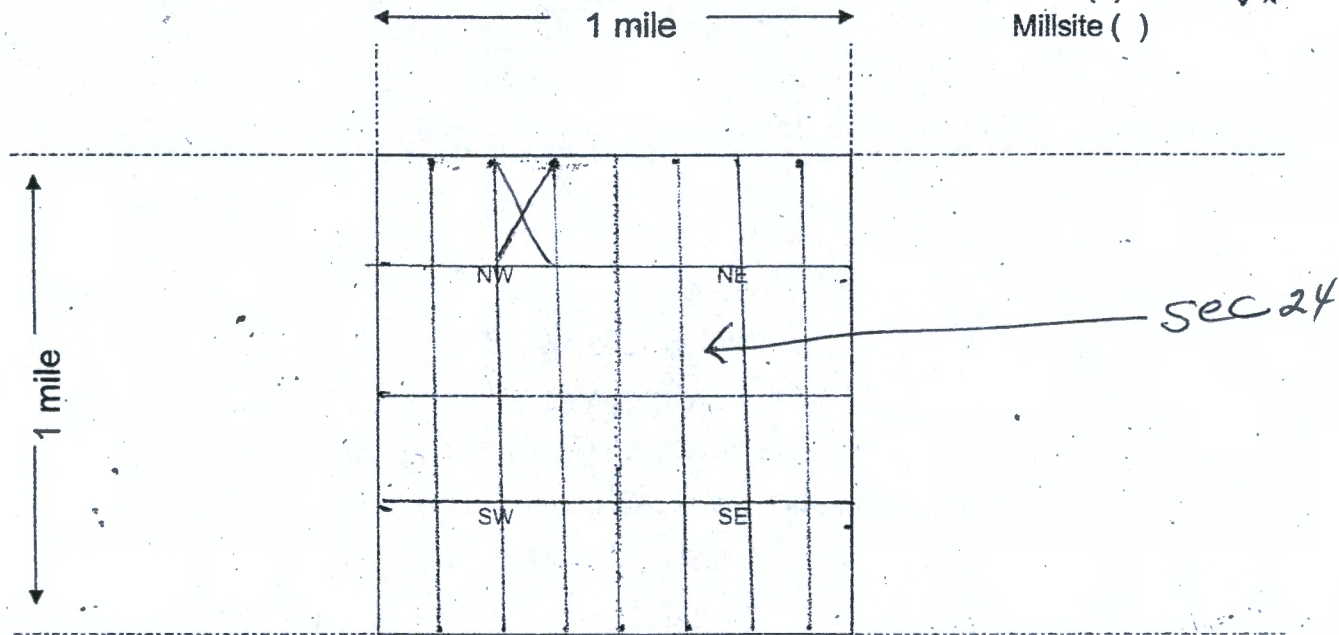
Signature(s) Burl Boswell

Form MCF102  
Revised July 2014

AMC459585

**MINING CLAIM MAP**

Lode ( ) Placer   
 Millsite ( )



Scale: 1" = 2000 feet



1. The above map depicts the BUTTERMILK I mining claim, which is located in Section (s) 24, Township 13 N, Range 10 W, Gila and Salt River Base and Meridian, YAVAPAI County, Arizona. Total claim acreage is 20
2. The type of corner and location monuments used are as follows: 2" PVC PIPE
3. The bearings and distances in degrees and feet between claim corners and to a public land survey monument are as depicted on the map.
4. If the claim is a placer or millsite claim with exterior limits conforming to legal subdivisions of the public survey, provide a legal description of the claim \_\_\_\_\_

Form MCF100a  
 Revised July 2014

LOCATION NOTICE FOR PLACER MINING CLAIM

Amendment BLM Serial # \_\_\_\_\_

NOTICE IS HEREBY GIVEN that the BUTTERMILK 2

\_\_\_\_\_ placer mining claim has been located by

BURL BOSWELL whose current mailing

address is 7556 BARKSDALE BLVD.

BOSSIER CITY, LOUISIANA 71112

RECEIVED  
BLM AZ STATE OFFICE  
2020 MAR 16 A 10:28  
PHOENIX, ARIZONA  
BLM  
Date  
Stamp

The general course of this claim is NORTH to SOUTH and it is situated in YAVAPAI

County, Arizona. This claim is 1320 feet in length and 660 feet in width.

20 Total Claim Acreage. This claim runs from the location monument on which this location notice is

posted at the NW corner of the claim approximately 1320 feet in a SOUTH direction to the

SW end line and 660 feet in a EAST direction to the SE end line. This claim is

marked by four monuments, one at each corner of the claim.

The location monument on which this notice is posted is situated within Section 24, Township

13 N, Range 10 W, Gila Salt River Base and Meridian, Arizona. This claim encompasses

portions of the following legal subdivision(s) if located by legal subdivision or the following quarter section(s),

section(s), Township(s) and Range(s) NE 1/4 NW 1/4 Sec 24

T 13 N R 10 W, Gila Salt River Base and Meridian, Arizona.

The locality of this claim with reference to some natural object or permanent monument and additional information

(if any) concerning its locality are as follows: 1980 FROM CORNER SEC'S 24 + 23

\_\_\_\_\_ The above information is shown on the attached map.

DATED AND POSTED on the ground this 9<sup>th</sup> day of MARCH, 2020.

LOCATOR(s)  AGENT

Print Name(s) BURL BOSWELL

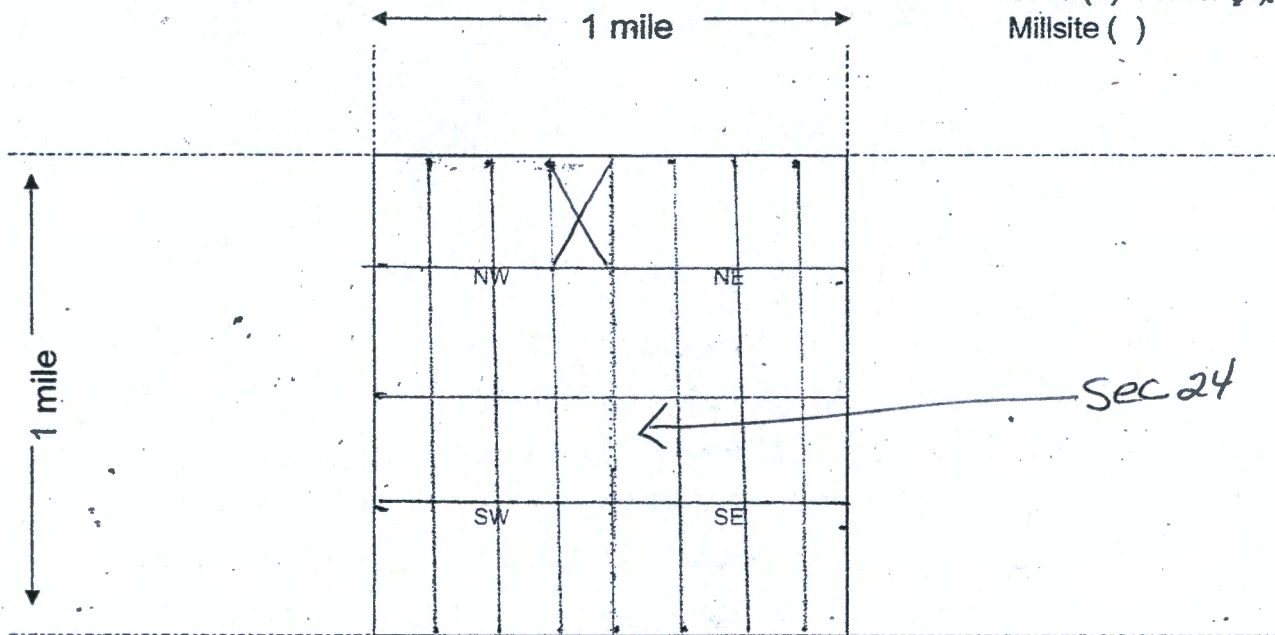
Signature(s) Burl Boswell

Form MCF102  
Revised July 2014

AMC459586

**MINING CLAIM MAP**

Lode ( ) Placer   
 Millsite ( )



Scale: 1" = 2000 feet



1. The above map depicts the BUTTERMILK 2 mining claim, which is located in Section (s) 24, Township 13 N, Range 10 W, Gila and Salt River Base and Meridian, YAVAPAI County, Arizona. Total claim acreage is 20

2. The type of corner and location monuments used are as follows: 2" PVC PIPE

3. The bearings and distances in degrees and feet between claim corners and to a public land survey monument are as depicted on the map.

4. If the claim is a placer or millsite claim with exterior limits conforming to legal subdivisions of the public survey, provide a legal description of the claim \_\_\_\_\_

Form MCF100a  
 Revised July 2014

LOCATION NOTICE FOR PLACER MINING CLAIM

Amendment BLM Serial # \_\_\_\_\_

NOTICE IS HEREBY GIVEN that the BUTTERMILK 3

\_\_\_\_\_ placer mining claim has been located by

BURL BOSWELL whose current mailing

address is 7556 BARKSDALE BLVD.

BOSSIER CITY, LOUISIANA 71112

RECEIVED  
BLM AZ STATE OFFICE  
2020 MAR 16 A 10:28  
PHOENIX, ARIZONA  
BLM  
Date  
Stamp

The general course of this claim is NORTH TO SOUTH and it is situated in YAVAPAI

County, Arizona. This claim is 1320 feet in length and 660 feet in width.

20 Total Claim Acreage. This claim runs from the location monument on which this location notice is

posted at the NW corner of the claim approximately 1320 feet in a SOUTH direction to the

SW end line and 660 feet in a EAST direction to the SE end line. This claim is

marked by four monuments, one at each corner of the claim.

The location monument on which this notice is posted is situated within Section 24, Township

13 N, Range 10 W, Gila Salt River Base and Meridian, Arizona. This claim encompasses

portions of the following legal subdivision(s) if located by legal subdivision or the following quarter section(s),

section(s), Township(s) and Range(s) N 1/2 NW 1/4 NE 1/4 Sec 24

T13N R10W, Gila Salt River Base and Meridian, Arizona.

The locality of this claim with reference to some natural object or permanent monument and additional information

(if any) concerning its locality are as follows: 2640' FROM CORNER SEC'S 24+23

\_\_\_\_\_ The above information is shown on the attached map.

DATED AND POSTED on the ground this 9<sup>th</sup> day of MARCH, 2020.

LOCATOR(s)  AGENT

Print Name(s) BURL BOSWELL

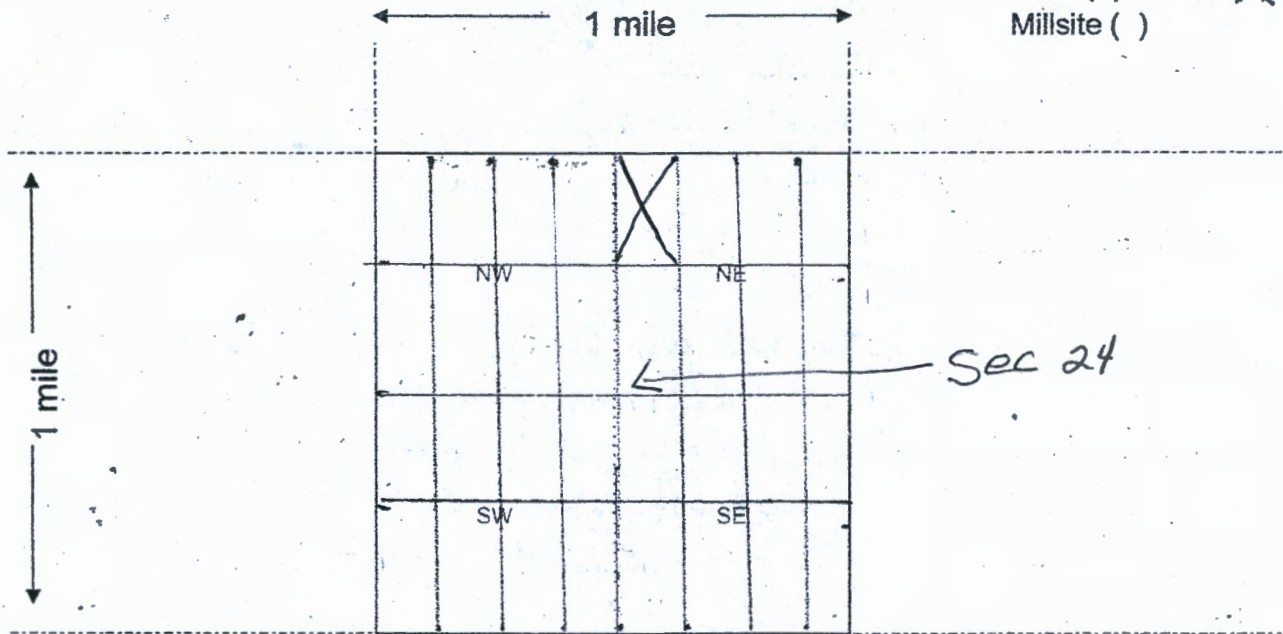
Signature(s) Burl Boswell

Form MCF102  
Revised July 2014

AMC459587

**MINING CLAIM MAP**

Lode ( ) Placer   
 Millsite ( )



Scale: 1" = 2000 feet



- The above map depicts the Buttermilk 3 mining claim, which is located in Section (s) 24, Township 13 N, Range 10 W, Gila and Salt River Base and Meridian, YAVAPAI County, Arizona. Total claim acreage is 20
- The type of corner and location monuments used are as follows: 2" PVC PIPE
- The bearings and distances in degrees and feet between claim corners and to a public land survey monument are as depicted on the map.
- If the claim is a placer or millsite claim with exterior limits conforming to legal subdivisions of the public survey, provide a legal description of the claim \_\_\_\_\_

Form MCF100a  
 Revised July 2014

LOCATION NOTICE FOR PLACER MINING CLAIM

Amendment BLM Serial # \_\_\_\_\_

NOTICE IS HEREBY GIVEN that the BUTTERMILK 4

\_\_\_\_\_ placer mining claim has been located by

BURL BOSWELL whose current mailing

address is 7556 BARKSDALE BLVD.

BOSSIER CITY, LOUISIANA 71112

RECEIVED  
BLM AZ STATE OFFICE  
2020 MAR 16 A 10:28  
PHOENIX, ARIZONA  
BLM  
Date  
Stamp

The general course of this claim is NORTH to SOUTH and it is situated in YAVAPAI

County, Arizona. This claim is 1320 feet in length and 660 feet in width.

20 Total Claim Acreage. This claim runs from the location monument on which this location notice is

posted at the NW corner of the claim approximately 1320 feet in a SOUTH direction to the

SW end line and 660 feet in a EAST direction to the SE end line. This claim is

marked by four monuments, one at each corner of the claim.

The location monument on which this notice is posted is situated within Section 24, Township

13 N, Range 10 W, Gila Salt River Base and Meridian, Arizona. This claim encompasses

portions of the following legal subdivision(s) if located by legal subdivision or the following quarter section(s),

section(s), Township(s) and Range(s) S 1/2 SE 1/4 NW 1/4 Sec 24

T13N R10W, Gila Salt River Base and Meridian, Arizona.

The locality of this claim with reference to some natural object or permanent monument and additional information

(if any) concerning its locality are as follows: 1980' then 1920' south

From Sec's 24 + 23

\_\_\_\_\_ The above information is shown on the attached map.

DATED AND POSTED on the ground this 9<sup>th</sup> day of MARCH, 2020.

LOCATOR(s)  AGENT

Print Name(s) BURL BOSWELL

Signature(s) Burl Boswell

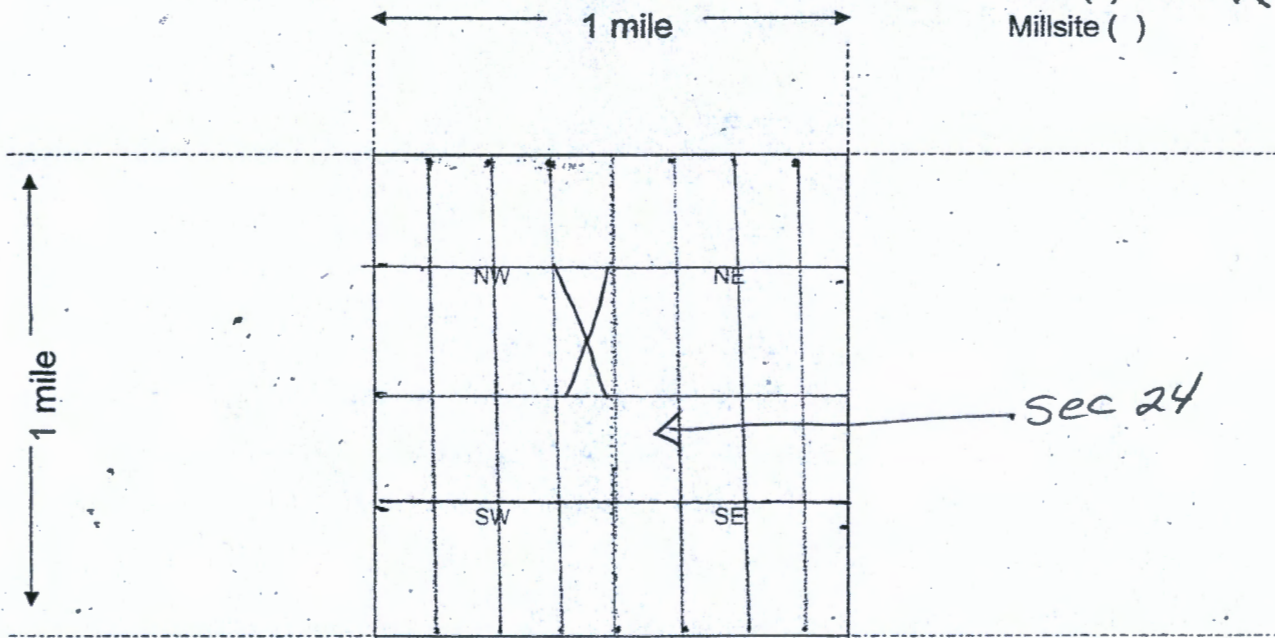
Form MCF102  
Revised July 2014

AMC459588



**MINING CLAIM MAP**

Lode ( ) Placer   
 Millsite ( )



Scale: 1" = 2000 feet



- The above map depicts the Buttermilk 4 mining claim, which is located in Section (s) 24, Township 13 N, Range 10 W, Gila and Salt River Base and Meridian, YAVAPAI County, Arizona. Total claim acreage is 20
- The type of corner and location monuments used are as follows: 2" PVC PIPE
- The bearings and distances in degrees and feet between claim corners and to a public land survey monument are as depicted on the map.
- If the claim is a placer or millsite claim with exterior limits conforming to legal subdivisions of the public survey, provide a legal description of the claim \_\_\_\_\_

Form MCF100a  
 Revised July 2014

This form is available from the Arizona Geology Survey and may be reproduced.

**LOCATION NOTICE FOR PLACER MINING CLAIM**

Amendment BLM Serial # \_\_\_\_\_

NOTICE IS HEREBY GIVEN that the BUTTERMILK 5

\_\_\_\_\_ placer mining claim has been located by

Burl Boswell whose current mailing

address is 7556 BARKSDALE BLVD

BOSSIER CITY, LOUISIANA 71112

RECEIVED  
BLM AZ STATE OFFICE  
2020 MAR 16 A 10:28  
PHOENIX, ARIZONA  
BLM  
Date  
Stamp

The general course of this claim is NORTH to SOUTH and it is situated in YAVAPAI

County, Arizona. This claim is 1320 feet in length and 660 feet in width.

20 Total Claim Acreage. This claim runs from the location monument on which this location notice is

posted at the NW corner of the claim approximately 1320 feet in a SOUTH direction to the

SW end line and 660 feet in a EAST direction to the SE end line. This claim is

marked by four monuments, one at each corner of the claim.

The location monument on which this notice is posted is situated within Section 24, Township

13 N, Range 10 W, Gila Salt River Base and Meridian, Arizona. This claim encompasses

portions of the following legal subdivision(s) if located by legal subdivision or the following quarter section(s),

section(s), Township(s) and Range(s) N 1/2 NE 1/4 SW 1/4 Sec 24

T 13 N, R 10 W, Gila Salt River Base and Meridian, Arizona.

The locality of this claim with reference to some natural object or permanent monument and additional information

(if any) concerning its locality are as follows: 660' W OF CENTER LINE Sec 24

\_\_\_\_\_ The above information is shown on the attached map.

DATED AND POSTED on the ground this 9<sup>th</sup> day of MARCH, 2020.

LOCATOR(s)  AGENT

Print Name(s) BURL BOSWELL

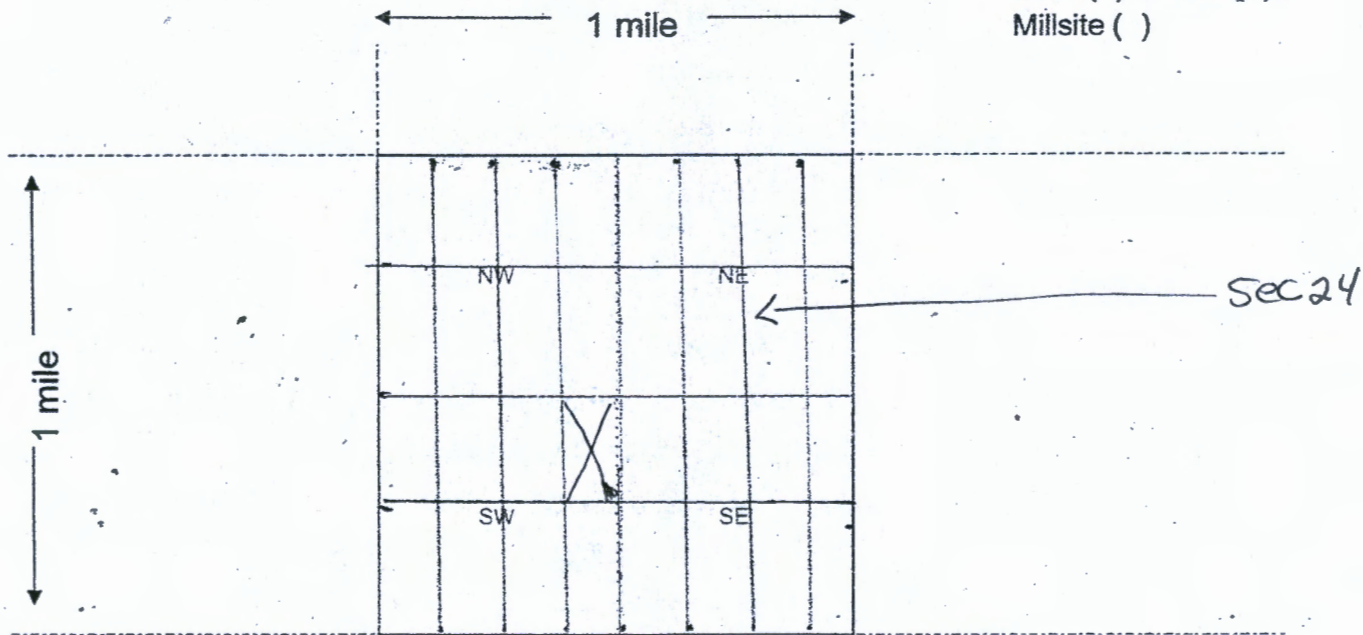
Signature(s) Burl Boswell

Form MCF102  
Revised July 2014

AMC459589

**MINING CLAIM MAP**

Lode ( ) Placer   
 Millsite ( )



Scale: 1" = 2000 feet



1. The above map depicts the BUTTERMILK 5 mining claim, which is located in Section (s) 24, Township 13 N, Range 10 W, Gila and Salt River Base and Meridian, YAVAPAI County, Arizona. Total claim acreage is 20

2. The type of corner and location monuments used are as follows: 2" PVC PIPE

3. The bearings and distances in degrees and feet between claim corners and to a public land survey monument are as depicted on the map.

4. If the claim is a placer or millsite claim with exterior limits conforming to legal subdivisions of the public survey, provide a legal description of the claim \_\_\_\_\_

Form MCF100a  
 Revised July 2014

LOCATION NOTICE FOR PLACER MINING CLAIM

Amendment BLM Serial # \_\_\_\_\_

NOTICE IS HEREBY GIVEN that the BUTTERMILK 6

\_\_\_\_\_ placer mining claim has been located by

BURL BOSWELL whose current mailing

address is 7556 BARKSDALE BLVD.

BOSSIER CITY LOUISIANA 71112

RECEIVED  
BLM AZ STATE OFFICE  
2020 MAR 16 A 10:28  
PHOENIX, ARIZONA  
BLM  
Date  
Stamp

The general course of this claim is North South and it is situated in YAVAPAI

County, Arizona. This claim is 1320 feet in length and 660 feet in width.

20 Total Claim Acreage. This claim runs from the location monument on which this location notice is posted at the NW corner of the claim approximately 1320 feet in a South direction to the SW end line and 660 feet in a EAST direction to the SE end line. This claim is marked by four monuments, one at each corner of the claim.

The location monument on which this notice is posted is situated within Section 24, Township

13 N, Range 10 W, Gila Salt River Base and Meridian, Arizona. This claim encompasses portions of the following legal subdivision(s) if located by legal subdivision or the following quarter section(s),

section(s), Township(s) and Range(s) W 1/2 NE 1/4 SW 1/4 Sec 24

T13N R10W, Gila Salt River Base and Meridian, Arizona.

The locality of this claim with reference to some natural object or permanent monument and additional information (if any) concerning its locality are as follows: 1320' WEST OF CENTER LINE

Sec 24

The above information is shown on the attached map.

DATED AND POSTED on the ground this 9<sup>TH</sup> day of MARCH, 2020

LOCATOR(s)  AGENT

Print Name(s) Burl Boswell

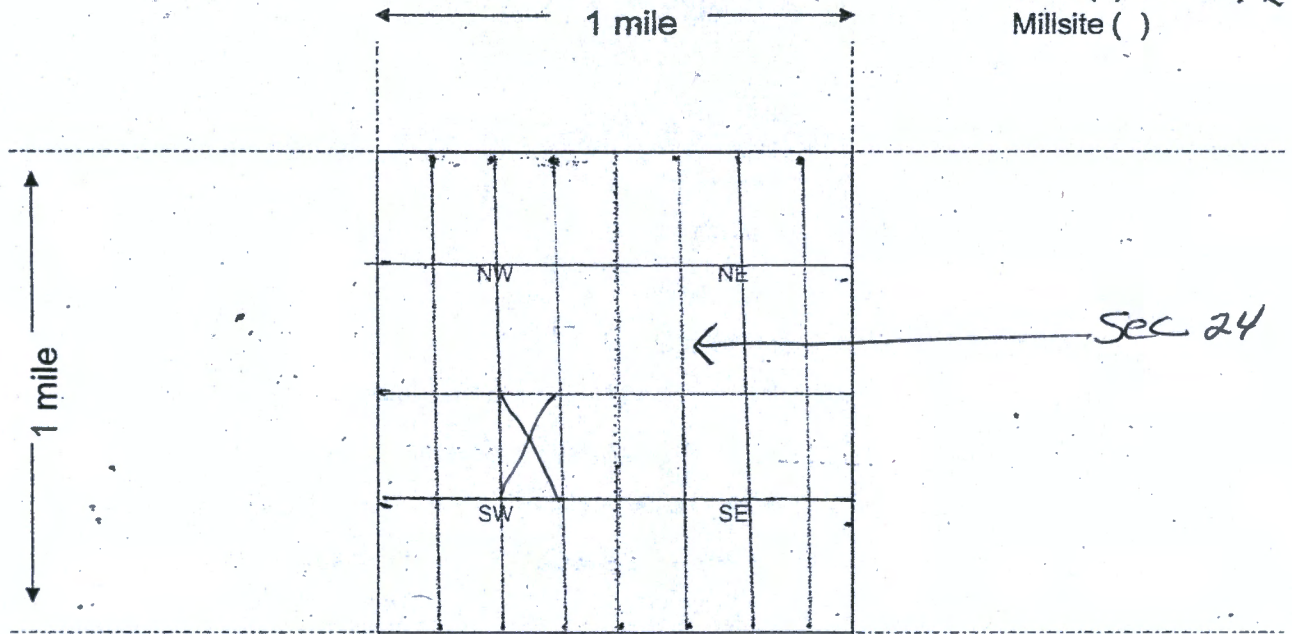
Signature(s) Burl Boswell

Form MCF102  
Revised July 2014

AMC459590

**MINING CLAIM MAP**

Lode ( ) Placer   
 Millsite ( )



1. The above map depicts the BUTTERMILK 6 mining claim, which is located in Section (s) 24, Township 13 N, Range 10 W, Gila and Salt River Base and Meridian, YAVAPAI County, Arizona. Total claim acreage is 20
2. The type of corner and location monuments used are as follows: 2" PVC PIPE
3. The bearings and distances in degrees and feet between claim corners and to a public land survey monument are as depicted on the map.
4. If the claim is a placer or millsite claim with exterior limits conforming to legal subdivisions of the public survey, provide a legal description of the claim \_\_\_\_\_

Form MCF100a  
 Revised July 2014

LOCATION NOTICE FOR PLACER MINING CLAIM

Amendment BLM Serial # \_\_\_\_\_

NOTICE IS HEREBY GIVEN that the BUTTERMILK 7  
\_\_\_\_\_ placer mining claim has been located by \_\_\_\_\_

BURL Boswell whose current mailing

address is 7556 BARKSDALE BLVD

BOSSIER CITY LOUISIANA 71112

BLM  
Date  
Stamp

PHOENIX, ARIZONA

2020 MAR 16 A 10:28

RECEIVED  
BLM AZ STATE OFFICE

The general course of this claim is WEST TO EAST and it is situated in YAVAPAI  
County, Arizona. This claim is 1320 feet in length and 660 feet in width.

20 Total Claim Acreage. This claim runs from the location monument on which this location notice is  
posted at the NW corner of the claim approximately 1320 feet in a EAST direction to the  
NE end line and 660 feet in a SOUTH direction to the SOUTH-EAST end line. This claim is  
marked by four monuments, one at each corner of the claim.

The location monument on which this notice is posted is situated within Section 24, Township  
13 N, Range 10 W, Gila Salt River Base and Meridian, Arizona. This claim encompasses  
portions of the following legal subdivision(s) if located by legal subdivision or the following quarter section(s),  
section(s), Township(s) and Range(s) S 1/2 NW 1/4 SW 1/4 Sec 24  
T13N R10W, Gila Salt River Base and Meridian, Arizona.

The locality of this claim with reference to some natural object or permanent monument and additional information  
(if any) concerning its locality are as follows: 1980' NORTH OF Sec's 23 + 24

\_\_\_\_\_ The above information is shown on the attached map.

DATED AND POSTED on the ground this 9<sup>TH</sup> day of MARCH, 20 20.

LOCATOR(s)  AGENT

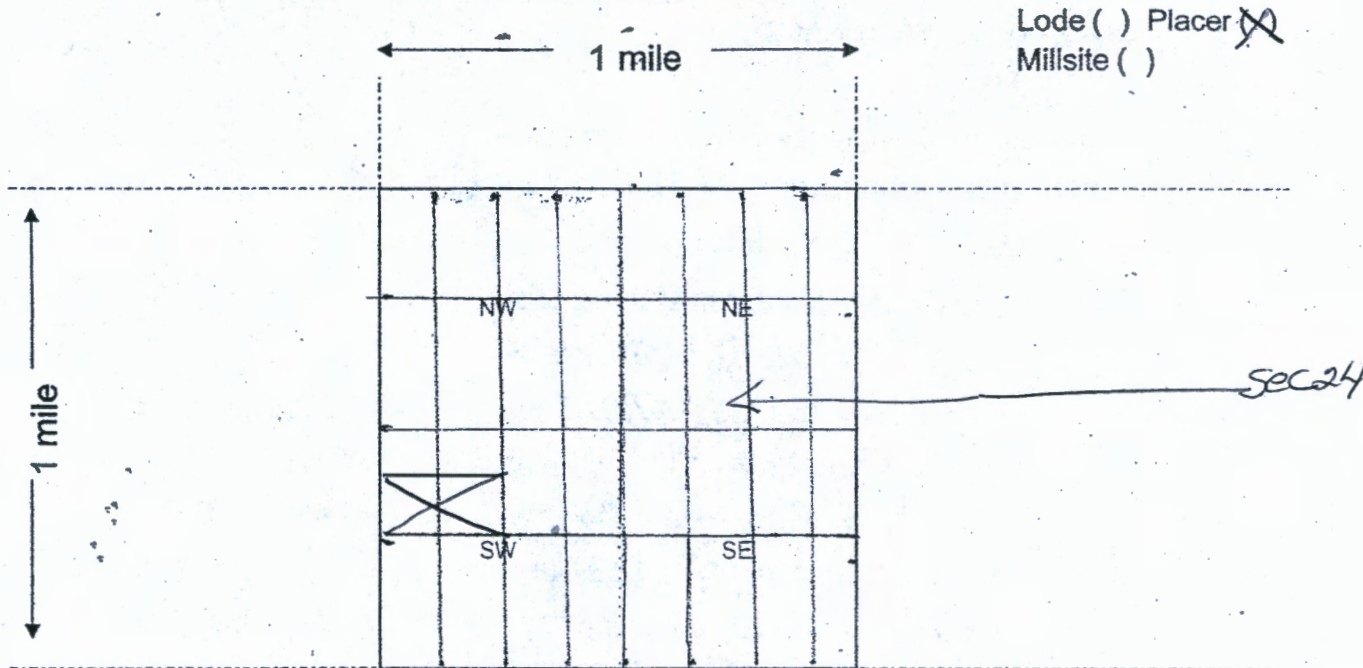
Print Name(s) BURL Boswell

Signature(s) Burl Boswell

Form MCF102  
Revised July 2014

AMC459591

**MINING CLAIM MAP**



Scale: 1" = 2000 feet



1. The above map depicts the BUTTERMILK 7 mining claim, which is located in Section (s) 24, Township 13 N, Range 10 W, Gila and Salt River Base and Meridian, YAVAPAI County, Arizona. Total claim acreage is 20
2. The type of corner and location monuments used are as follows: 2" PVC PIPE
3. The bearings and distances in degrees and feet between claim corners and to a public land survey monument are as depicted on the map.
4. If the claim is a placer or millsite claim with exterior limits conforming to legal subdivisions of the public survey, provide a legal description of the claim \_\_\_\_\_

Form MCF100a  
Revised July 2014

LOCATION NOTICE FOR PLACER MINING CLAIM

Amendment BLM Serial # \_\_\_\_\_

NOTICE IS HEREBY GIVEN that the BUTTERMILK 8

\_\_\_\_\_ placer mining claim has been located by

BURL BOSWELL whose current mailing

address is 7556 BARKSDALE BLVD

BOSSIER CITY, LOUISIANA 71112

RECEIVED  
BLM AZ STATE OFFICE  
2020 MAR 16 A 10:28  
PHOENIX, ARIZONA  
BLM  
Date  
Stamp

The general course of this claim is West to East and it is situated in YAVAPAI

County, Arizona. This claim is 1320 feet in length and 660 feet in width.

20 Total Claim Acreage. This claim runs from the location monument on which this location notice is

posted at the NW corner of the claim approximately 1320 feet in a EAST direction to the

NE end line and 660 feet in a SOUTH direction to the SE end line. This claim is

marked by four monuments, one at each corner of the claim.

The location monument on which this notice is posted is situated within Section 24, Township

13 N, Range 10 W, Gila Salt River Base and Meridian, Arizona. This claim encompasses

portions of the following legal subdivision(s) if located by legal subdivision or the following quarter section(s),

section(s), Township(s) and Range(s) N 1/2 SW 1/4 SW 1/4 Sec 24

T13N R10W, Gila Salt River Base and Meridian, Arizona.

The locality of this claim with reference to some natural object or permanent monument and additional information

(if any) concerning its locality are as follows: 1320' N of Sec's 24+23

\_\_\_\_\_ The above information is shown on the attached map.

DATED AND POSTED on the ground this 9<sup>th</sup> day of MARCH, 2020

LOCATOR(s)  AGENT

Print Name(s) BURL BOSWELL

Signature(s) Burl Boswell

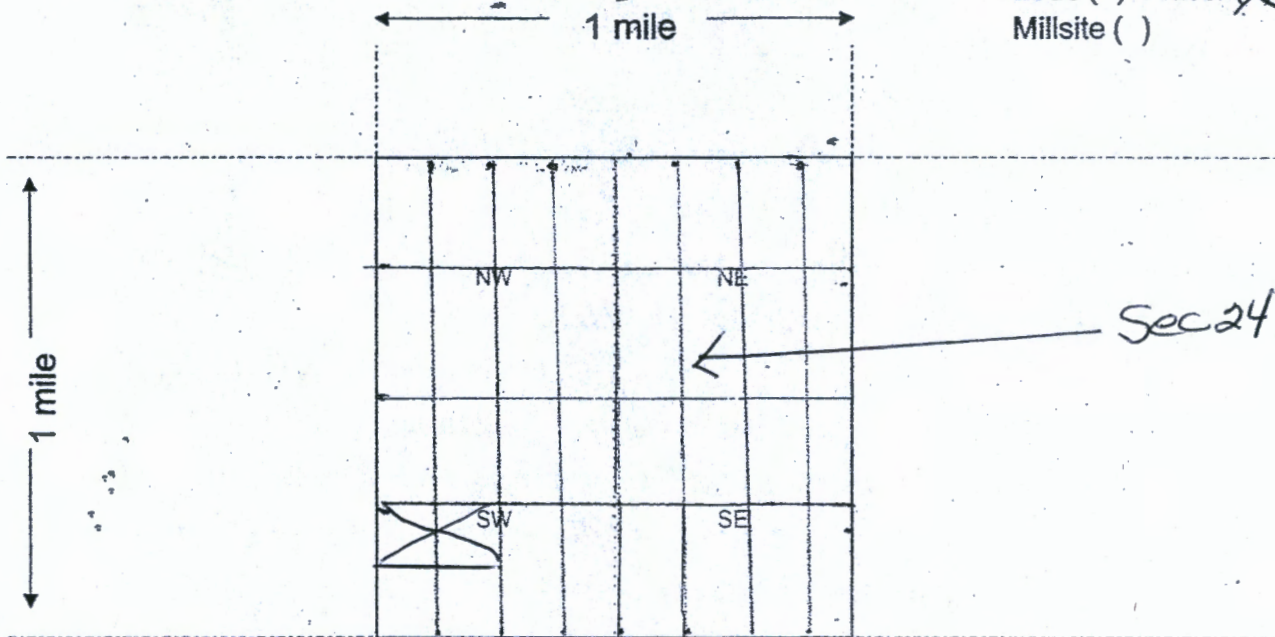
Form MCF102  
Revised July 2014

AMC459592



**MINING CLAIM MAP**

Lode ( ) Placer   
 Millsite ( )



Scale: 1" = 2000 feet



- The above map depicts the BUTTERMILK 8 mining claim, which is located in Section (s) 24, Township 13 N, Range 10 W, Gila and Salt River Base and Meridian, YAVAPAI County, Arizona. Total claim acreage is 20
- The type of corner and location monuments used are as follows: 2" PVC PIPE
- The bearings and distances in degrees and feet between claim corners and to a public land survey monument are as depicted on the map.
- If the claim is a placer or millsite claim with exterior limits conforming to legal subdivisions of the public survey, provide a legal description of the claim \_\_\_\_\_

Form MCF100a  
 Revised July 2014

LOCATION NOTICE FOR PLACER MINING CLAIM

Amendment BLM Serial # \_\_\_\_\_

NOTICE IS HEREBY GIVEN that the BUTTERMILK 9

\_\_\_\_\_ placer mining claim has been located by

BURL BOSWELL whose current mailing

address is 7556 BARKSDALE BLVD.

BOSSIER CITY LOUISIANA

RECEIVED  
BLM AZ STATE OFFICE  
2020 MAR 16 A 10:28  
PHOENIX, ARIZONA

BLM  
Date  
Stamp

The general course of this claim is NORTH TO SOUTH and it is situated in YAVAPAI

County, Arizona. This claim is 1320 feet in length and 660 feet in width.

20 Total Claim Acreage. This claim runs from the location monument on which this location notice is posted at the NW corner of the claim approximately 1320 feet in a SOUTH direction to the SW end line and 660 feet in a EAST direction to the SE end line. This claim is marked by four monuments, one at each corner of the claim.

The location monument on which this notice is posted is situated within Section 24, Township

13 N, Range 10 W, Gila Salt River Base and Meridian, Arizona. This claim encompasses portions of the following legal subdivision(s) if located by legal subdivision or the following quarter section(s),

section(s), Township(s) and Range(s) W 1/2 SW 1/4 SE 1/4 Sec 24

T13N R 10W, Gila Salt River Base and Meridian, Arizona.

The locality of this claim with reference to some natural object or permanent monument and additional information

(if any) concerning its locality are as follows: 2640' then 1320' N FROM  
Sec's 23 + 24

The above information is shown on the attached map.

DATED AND POSTED on the ground this 9<sup>th</sup> day of MARCH, 2020

LOCATOR(s)  AGENT

Print Name(s) BURL BOSWELL

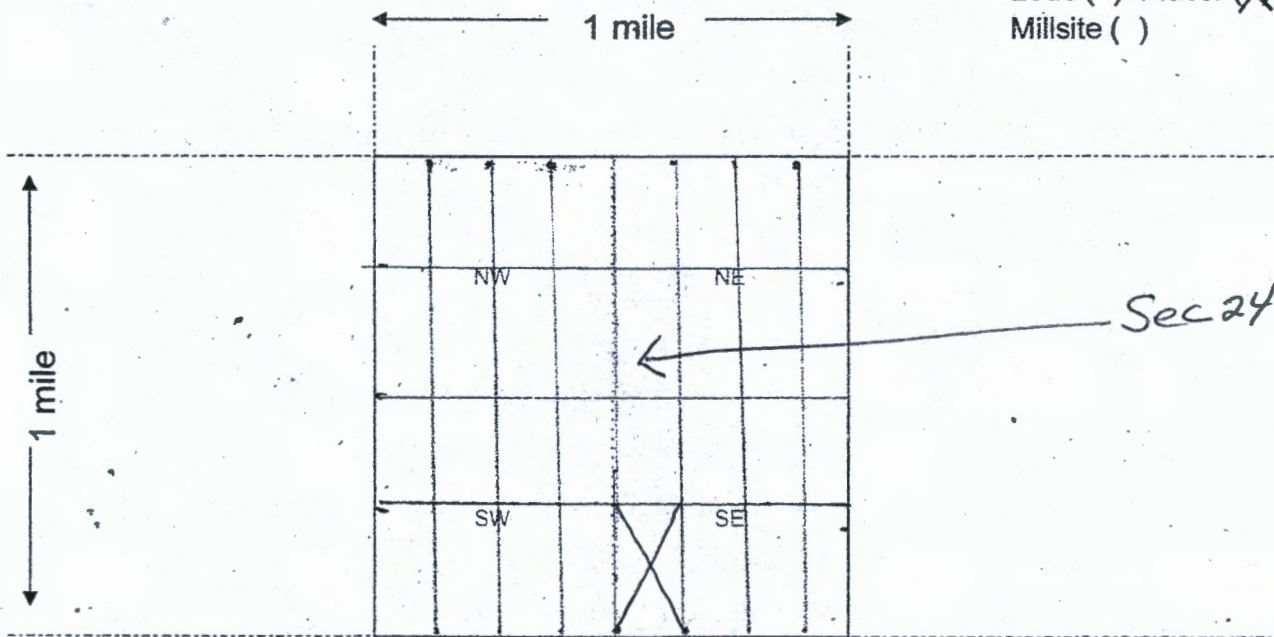
Signature(s) Burl Boswell

Form MCF102  
Revised July 2014

AMC 459593

**MINING CLAIM MAP**

Lode ( ) Placer   
 Millsite ( )



Scale: 1" = 2000 feet



1. The above map depicts the BUTTERMILK 9 mining claim, which is located in Section (s) 24, Township 13 N, Range 10 W, Gila and Salt River Base and Meridian, YAVAPAI County, Arizona. Total claim acreage is 20
2. The type of corner and location monuments used are as follows: 2" PVC PIPE
3. The bearings and distances in degrees and feet between claim corners and to a public land survey monument are as depicted on the map.
4. If the claim is a placer or millsite claim with exterior limits conforming to legal subdivisions of the public survey, provide a legal description of the claim \_\_\_\_\_

Form MCF100a  
 Revised July 2014

LOCATION NOTICE FOR PLACER MINING CLAIM

Amendment BLM Serial # \_\_\_\_\_

NOTICE IS HEREBY GIVEN that the BUTTERMILK 10

\_\_\_\_\_ placer mining claim has been located by

Burl Boswell whose current mailing

address is 7556 BARKSDALE Blvd

BOSSIER CITY, LOUISIANA 71112

RECEIVED  
BLM AZ STATE OFFICE  
2020 MAR 16 A 10:28  
PHOENIX, ARIZONA  
BLM  
Date  
Stamp

The general course of this claim is NORTH TO SOUTH and it is situated in YAVAPAI

County, Arizona. This claim is 1320 feet in length and 660 feet in width.

20 Total Claim Acreage. This claim runs from the location monument on which this location notice is posted at the NW corner of the claim approximately 1320 feet in a SOUTH direction to the SW end line and 660 feet in a EAST direction to the SE end line. This claim is marked by four monuments, one at each corner of the claim.

The location monument on which this notice is posted is situated within Section 25, Township 13 N, Range 10 W, Gila Salt River Base and Meridian, Arizona. This claim encompasses portions of the following legal subdivision(s) if located by legal subdivision or the following quarter section(s), section(s), Township(s) and Range(s) N 1/2 NW 1/4 NE 1/4 Sec 25

T13N R10W, Gila Salt River Base and Meridian, Arizona.

The locality of this claim with reference to some natural object or permanent monument and additional information (if any) concerning its locality are as follows: 1980' FROM CORNER SEC'S 25+30

\_\_\_\_\_ The above information is shown on the attached map.

DATED AND POSTED on the ground this 9th day of MARCH, 2020

LOCATOR(s)  AGENT

Print Name(s) Burl Boswell

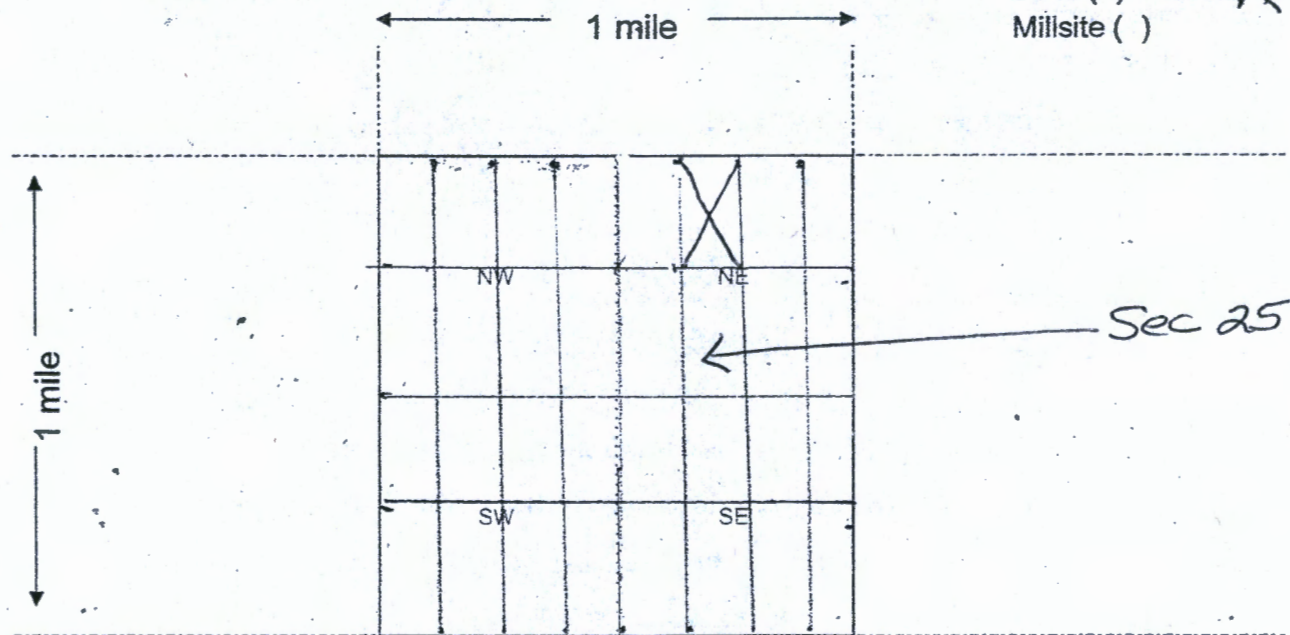
Signature(s) Burl Boswell

Form MCF102  
Revised July 2014

AMC459594

**MINING CLAIM MAP**

Lode ( ) Placer   
 Millsite ( )



Scale: 1" = 2000 feet



1. The above map depicts the BUTTERMILK 10 mining claim, which is located in Section (s) 25, Township 13 N, Range 10 W, Gila and Salt River Base and Meridian, YAVAPAI County, Arizona. Total claim acreage is 20
2. The type of corner and location monuments used are as follows: 2" PVC PIPE
3. The bearings and distances in degrees and feet between claim corners and to a public land survey monument are as depicted on the map.
4. If the claim is a placer or millsite claim with exterior limits conforming to legal subdivisions of the public survey, provide a legal description of the claim \_\_\_\_\_

Form MCF100a  
 Revised July 2014

Date and Time Run:  
4/1/2020 11:13:31 AM

DEPARTMENT OF THE INTERIOR  
BUREAU OF LAND MANAGEMENT  
Case Recordation

Page 1 of 1

**Geographic Report with Land**

Disposition is equal to **AUTHORIZED , CANCELLED , EXPIRED , PENDING , REJECTED , RELINQUISHED ,  
WITHDRAWN**  
and Meridian Township Range Section is equal to **14 0130N 0100W 024 , 14 0130N 0100W 025**  
and Admin State is equal to **AZ**

NO WARRANTY IS MADE BY BLM  
FOR USE OF THE DATA FOR  
PURPOSES NOT INTENDED BY BLM

DEPARTMENT OF THE INTERIOR  
BUREAU OF LAND MANAGEMENT  
Case Recordation  
Geographic Report with Land

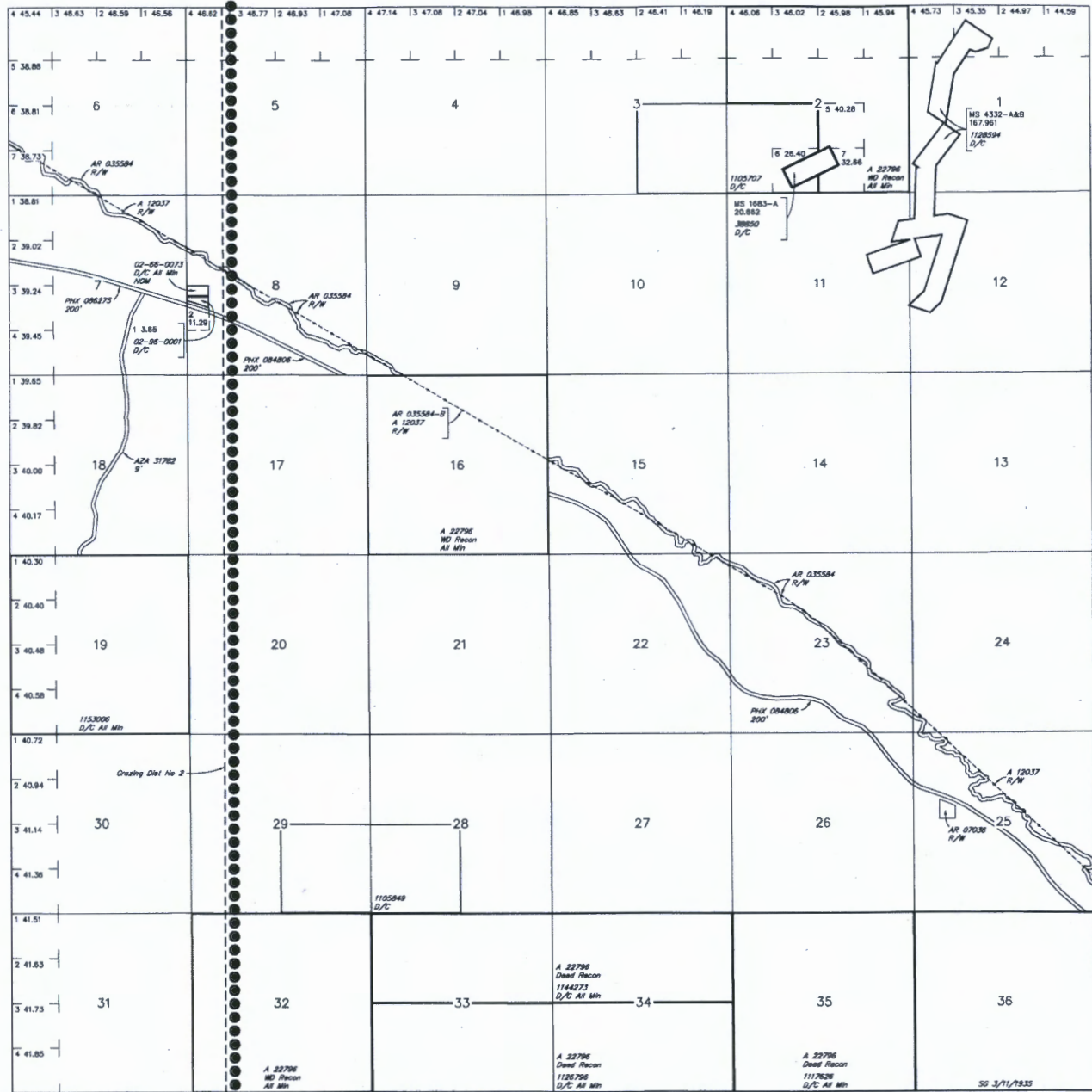
Admin State: AZ  
Geo State: AZ

Serial Number	Total Case Acres:	Casetype	Case Disp	Mer	Twp	Rng	Sec	Sur Type	Sur Nr	Suf	Subdivision	Act Pend
AZA 012037	2,231.010	285007	AUTHORIZED	14	0130N	0100W	024	ALIQ			SWSW	

Serial Number	Total Case Acres:	Casetype	Case Disp	Mer	Twp	Rng	Sec	Sur Type	Sur Nr	Suf	Subdivision	Act Pend
AZA 012037	2,231.010	285007	AUTHORIZED	14	0130N	0100W	025	ALIQ			SWNE NW SE	
AZA 026411EE	87.580	282103	AUTHORIZED					ALIQ			NWNW,S2NW,NESW, SE	
AZAR 0007036	6.890	282106	AUTHORIZED					FF		1	SFSWN, W S OF HIGHWAY	
AZPHX 0084806	250.230	282105	AUTHORIZED					ALIQ			SE,NESW,S2NW	

# TOWNSHIP 13 NORTH RANGE 10 WEST OF THE GILA AND SALT RIVER MERIDIAN, ARIZONA

MOHAVE / YAVAPAI COUNTY  
KINGMAN FIELD OFFICE



STATUS OF PUBLIC DOMAIN  
LAND AND MINERAL TITLES

INDEX TO SEGREGATED TRACTS					
RESURVEY TRACT NO	ORIGINAL SURVEY			SUBDIVISION	
	T	R	SEC		

FOR ORDERS AFFECTING DISPOSAL OR USE OF UNIDENTIFIED LANDS WITHDRAWN FOR CLASSIFICATION, MINERALS, WATER AND/OR OTHER PUBLIC PURPOSES, REFER TO INDEX OF MISCELLANEOUS DOCUMENTS.

MDS 345 NE

- AZA 26411-CC R/W Highway
  - Sec 7: S1/2NW1/4, N1/2SE1/4
  - Sec 8: Lots 1, 2, E1/2SW1/4, E1/2NW1/4SW1/4, S1/2SE1/4
  - Sec 15: SW1/4, SW1/4SE1/4
  - Sec 16: S1/2NE1/4, NW1/4, N1/2SE1/4
  - Sec 17: NE1/4NE1/4
  - Sec 22: NE1/4, NE1/4NW1/4, NE1/4SE1/4
  - Sec 23: NW1/4SW1/4, S1/2S1/2
  - Sec 26: N1/2NE1/4

- AZA 26411-EE R/W Highway
  - Sec 25: NW1/4NW1/4, S1/2NW1/4, NE1/4SW1/4, SE1/4
  - Sec 26: NE1/4NE1/4

R 11W R 10W MOHAVE 015 YAVAPAI 025  
T 12N



**WARNING STATEMENT**  
This plot is the Bureau's Record of Title, and should be used only as a graphic display of the township survey data. Records herein do not reflect title changes which may have been affected by lateral movements of rivers or other bodies of water. Refer to the cadastral surveys for official survey information.

Lot 34°25'00"N  
Long 113°15'00"W

CURRENT TO	NW	GSR Mer
7-30-2012	ACAD	T 13 N
		R 10 W